

High Current SMD Power Inductors - SEP0618EB SERIES



PART NUMBERING SYSTEM

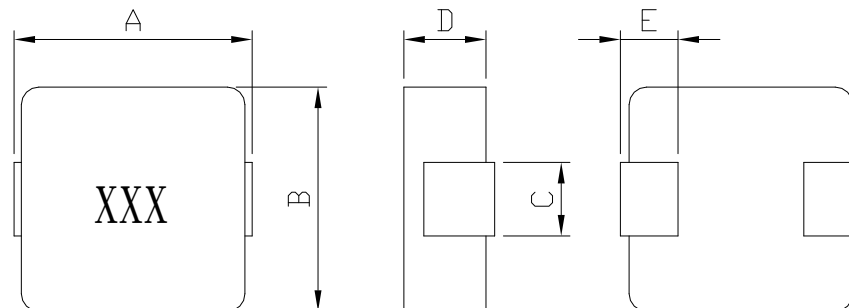
SEP	0618EB	—	2R2M	—	LF
TYPE	DIMENSIONS		INDUCTANCE		LEAD FREE

FEATURES :

- Low profile (1.80mm max. height) and 7.5 mm max. square.
- Inductance range : 0.1uH to 4.7uH with DC Current up to 40A.
- Magnetically shielded and low DC resistance and Suitable for large current .
- Ideal for DC – DC converter inductor application in hand help personal Computer ,etc .
- Frequency range up to 5MHZ with large current handling capability .

SHAPES AND DIMENSIONS :

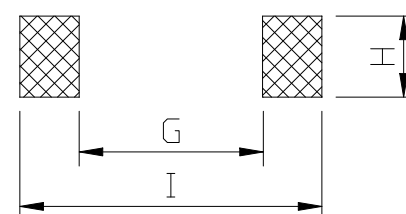
UNIT : mm



A=7.5 Max B=6.8 Max. C=3.0±0.3 D=1.8 Max. E=1.6±0.3

RECOMMENDED PATTERNS

UNIT : mm



H=3.5 G= 3.8 I = 8.0

High Current SMD Power Inductors - SEP0618EB SERIES

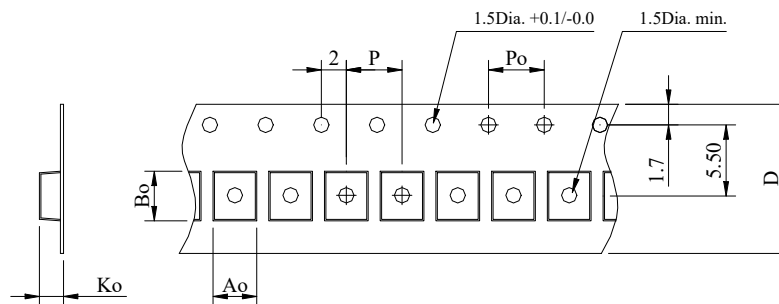


SPECIFICATION TABLE

PART NUMBER	INDUCTANCE (μH)	Isat (A) (Typ.)	Irms (A) (Typ.)	DCR (mΩ) (Max.)	TEST FREQ. (Freq.)
SEP0618EB-R10M-LF	0.10±20%	40.0	18.0	3.5	100KHz/0.25V
SEP0618EB-R15M-LF	0.15±20%	38.0	15.0	5.2	100KHz/0.25V
SEP0618EB-R22M-LF	0.22±20%	26.0	14.0	5.7	100KHz/0.25V
SEP0618EB-R33M-LF	0.33±20%	18.0	12.0	7.0	100KHz/0.25V
SEP0618EB-R47M-LF	0.47±20%	18.0	11.0	9.3	100KHz/0.25V
SEP0618EB-R68M-LF	0.68±20%	17.0	9.00	13.9	100KHz/0.25V
SEP0618EB-R82M-LF	0.82±20%	17.0	8.00	15.9	100KHz/0.25V
SEP0618EB-1R0M-LF	1.0±20%	14.0	7.00	18.3	100KHz/0.25V
SEP0618EB-1R5M-LF	1.5±20%	11.5	4.00	34.0	100KHz/0.25V
SEP0618EB-2R2M-LF	2.2±20%	13.0	3.75	46.0	100KHz/0.25V
SEP0618EB-2R5M-LF	2.5±20%	10.4	3.50	52.4	100KHz/0.25V
SEP0618EB-3R3M-LF	3.3±20%	10.0	3.25	60.1	100KHz/0.25V
SEP0618EB-4R7M-LF	4.7±20%	8.00	3.00	78.0	100KHz/0.25V

- Isat : DC current at which the inductance drops 30% (typ) from its value without current.
- I rms : Average current for a 40°C temperature rise above 25°C ambient.
- Operating temperature range -55°C to +125°C , Electrical specifications at 25°C.

PACKAGING SPECIFICATION



STAYLE	Q'TY (PCS)	DIMENSIONS (m/m)					
		Ao	Bo	Ko	P	Po	D±0.3
13"	1,000	7.2	7.0	2.8	12	4.0	16